

V1182-2812-B3R Series

HD 3MP IR Vari-Focal 1/2.7" Lenses w/DC-iris

Infinova[®]
The Integrator's Manufacturer



- **3.0Mpx**
- **1/2.7" image format**
- **DC-iris**
- **CS Mount**
- **2.8~12mm vari-focal length, capable of multiple applications**
- **Wide Aperture of F1.2**
- **Compact structure, easy to install**

Infinova's V1182-2812-B3R series HD 3MP IR Vari-Focal 1/2.7" Lens which features wide aperture of F1.2 and broad focal length of 2.8~12mm is of many kinds of applications. It has excellent color reproduction and high image continuity. With its innovation design, it has been widely used in surveillance market. Besides, its compact structure makes it easier to install.

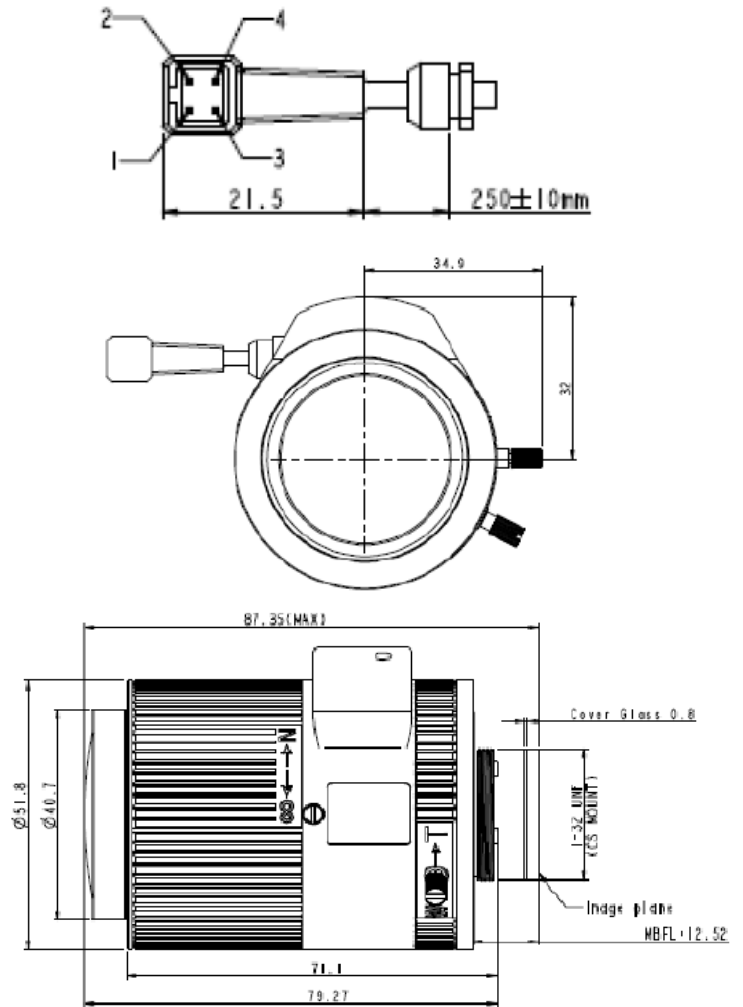
Technical specifications

Model	V1182-2812-B3R
Image Format	1/2.7"
Lens Mount	CS
Focal Length	2.8(Wide)~12mm(Tele)
Aperture	F1.2, ±5% (Wide)
Angle of View(H×V×D)	133°×100°×72°
Total Length	Tele: 82.18mm (with 0.5mm CG, 0.3mm ICR); Wide: 60.82mm (with 0.5mm CG, 0.3mm ICR)
Back Focal Length	8.05mm (with 0.5mm CG, 0.3mm ICR)
Focus Range	0.8m~INF
Front Lens Barrel Size	51.8mm
Wavelength Range	440nm~850nm
Iris/IR Filter	DC motorized iris
RoHS	Support
Operating Temperature	-4°F~158°F (-20°C~70°C)
Storage Temperature	-4°F~158°F (-20°C~70°C)
Humidity	0~90%RH (No Condensing)

Ordering information

V1182-2812-B3R Lens, 3.0 Mega pixels, f=2.8~12mm,
F/1.2, DC-iris, 1/2.7 inch, CS

Dimensions



(Unit: mm)